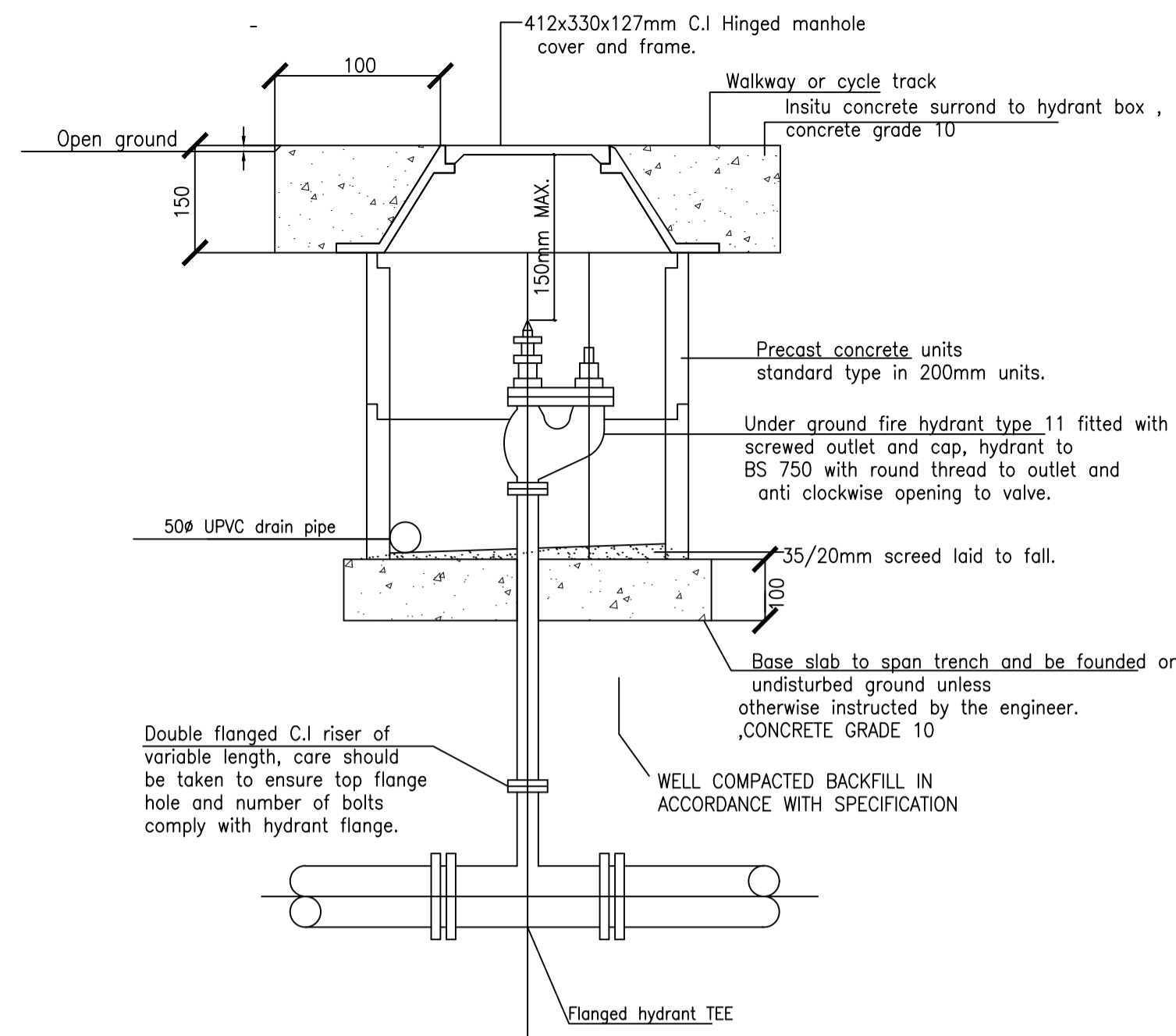
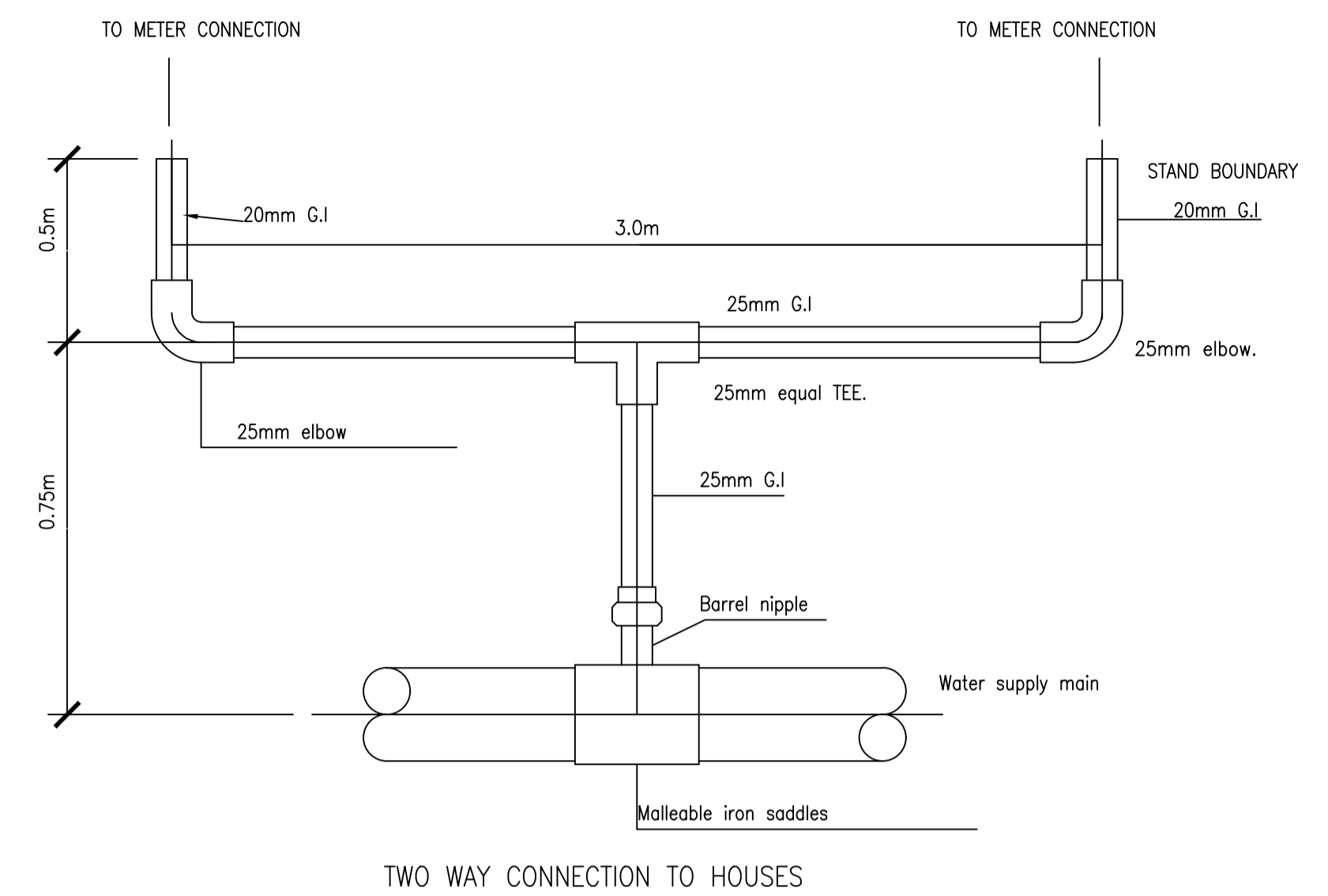


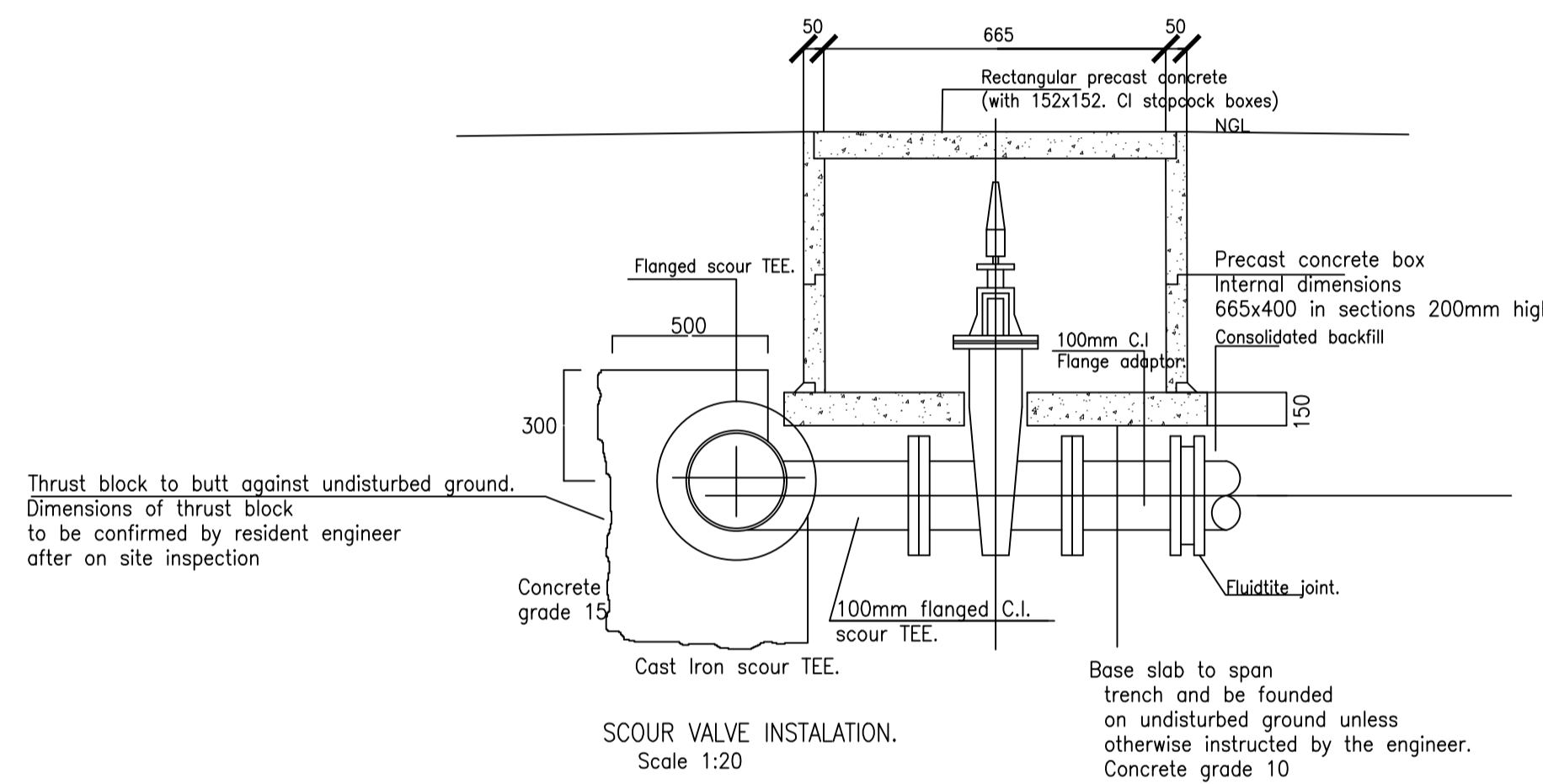
GATE VALVE INSTALLATION AND BOX  
(MAINS up to 300mm)



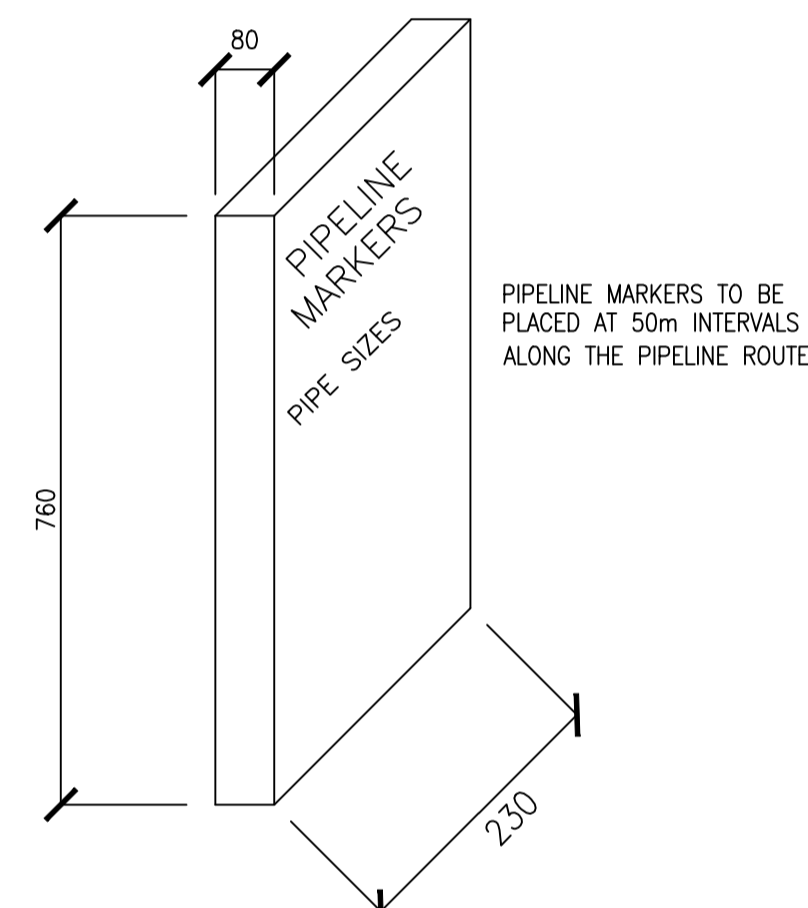
FIRE HYDRANT AND BOX DETAILS



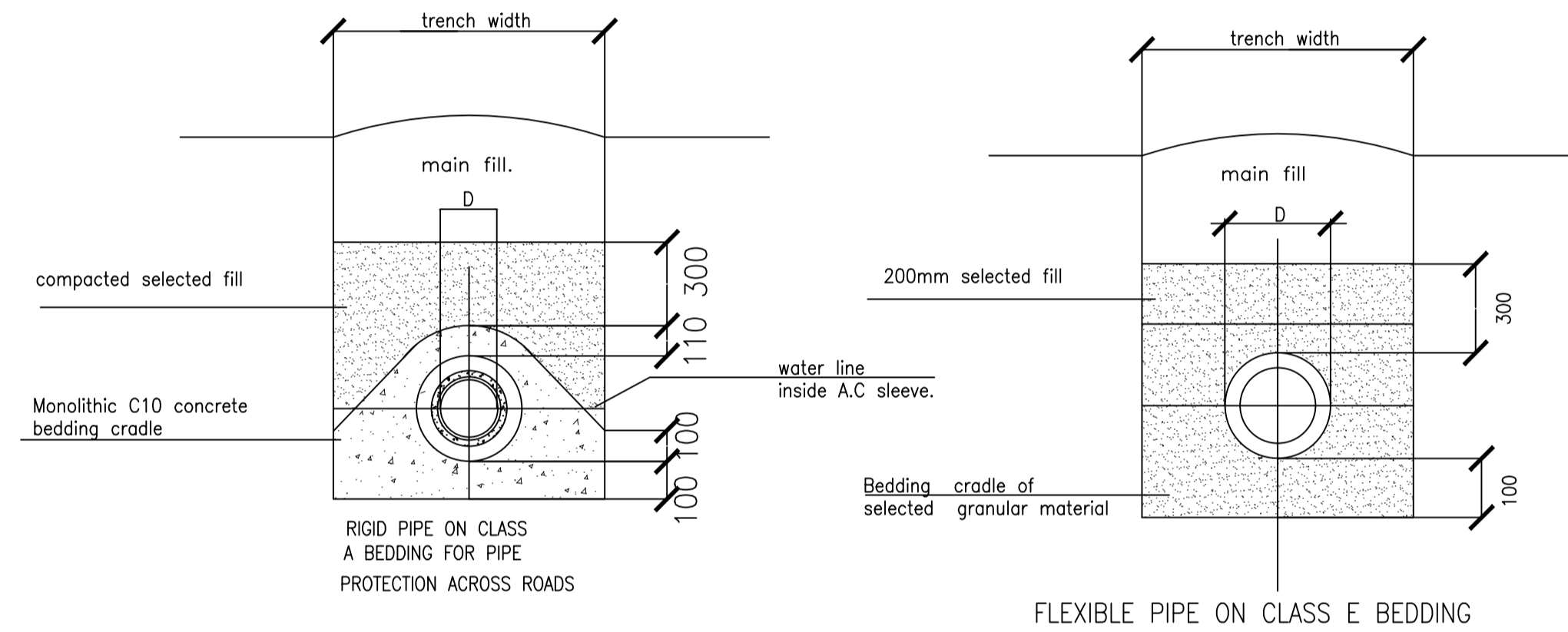
TWO WAY CONNECTION TO HOUSES



SCOUR VALVE INSTALLATION.  
Scale 1:20

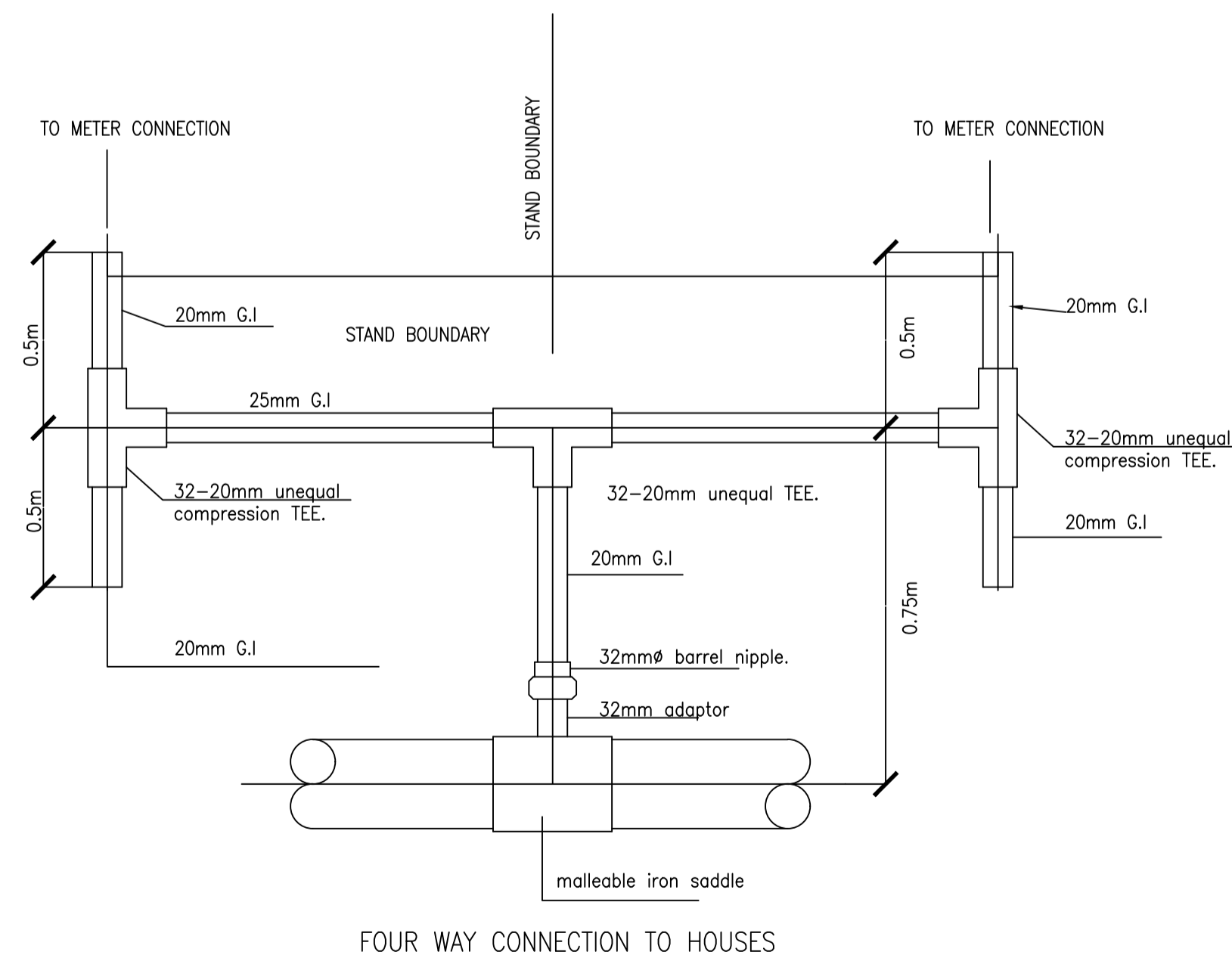


PRECAST CONCRETE PIPELINE  
MAKER DETAILS

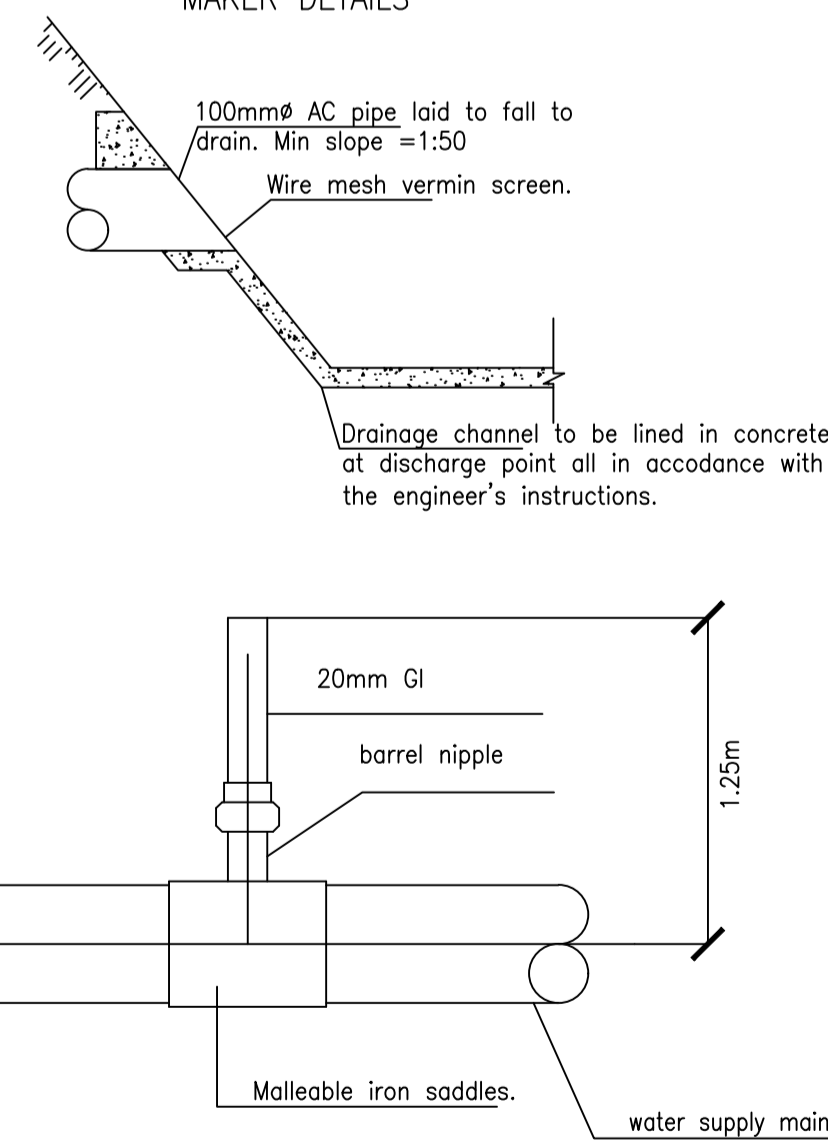


RIGID PIPE ON CLASS A  
BEDDING FOR PIPE  
PROTECTION ACROSS ROADS

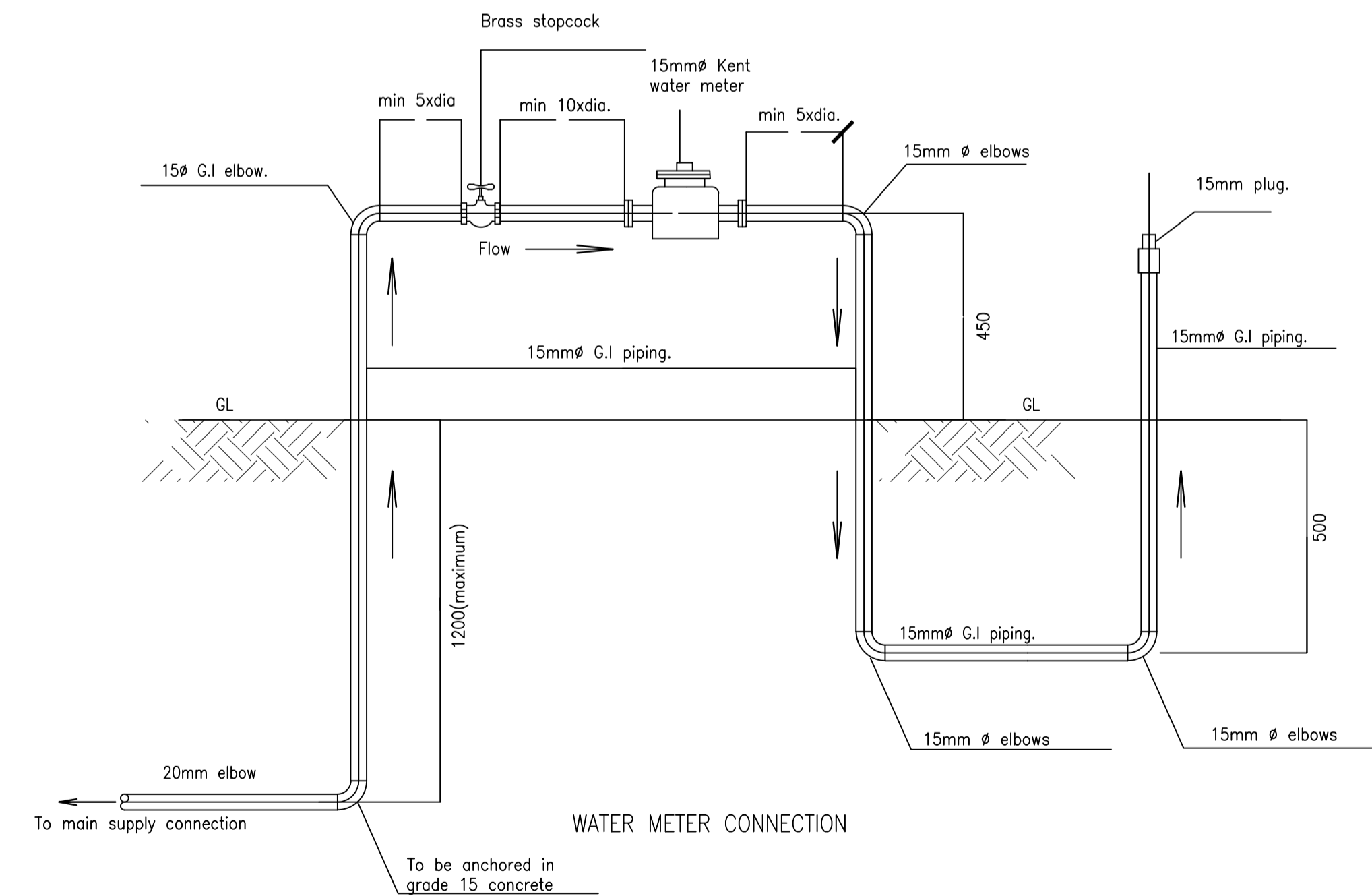
FLEXIBLE PIPE ON CLASS E  
BEDDING



FOUR WAY CONNECTION TO HOUSES



ONE WAY STAND CONNECTION



WATER METER CONNECTION

NOTES:

AMENDMENT	Description



Ministry of Local Government,  
Public Works and National Housing  
P.O. Box CY7755, Causeway  
Zimbabwe

Arch Eng	A.S	Director Eng	H.Hungwe	Ministry	MINISTRY OF FINANCE	Centre	MUTARE
Designed	L.M	Branch Head	E.N	Title	FORBES BORBER POST STAFF COTTAGES		
Drawn	L.M	Scale	N.T.S	Description	WATER STANDARD DETAILS		
Checked	E.M	Date	March 2022			G.P.No	Proj

Telephone 04 700811